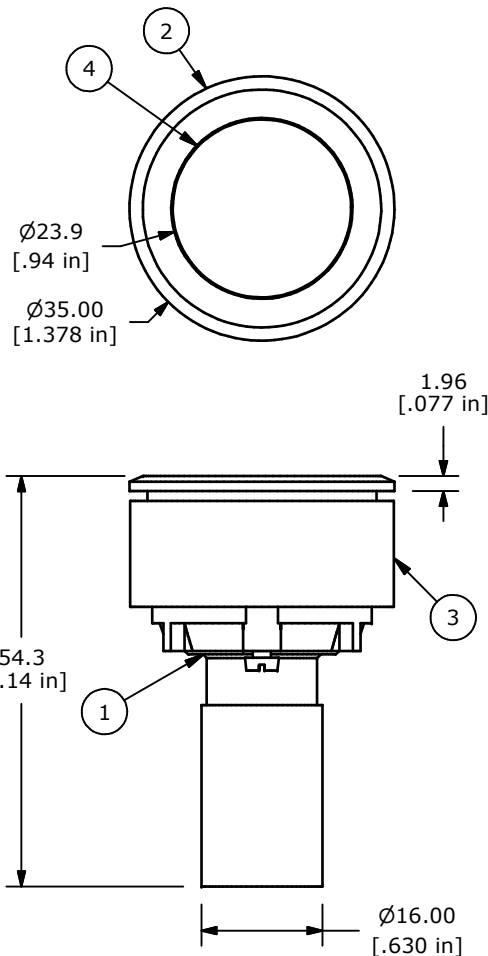
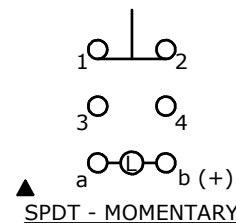
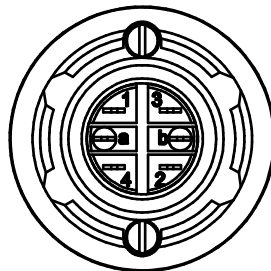
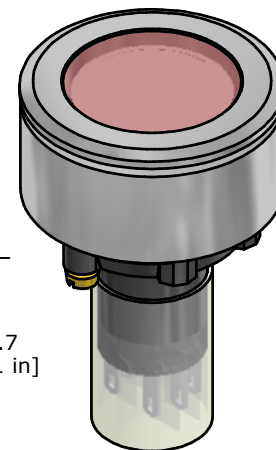
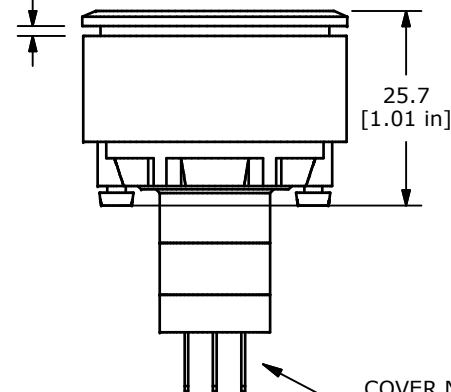


NOTES:

1. ALL DIMENSIONS IN MM [INCH].
2. GENERAL TOLERANCE: 0.0 $\pm$ 0.4  
0.00 $\pm$ 0.25
3. TERM. NOS. FOR REF. ONLY.
4. RATING: 5A @250VAC  
8A @125VAC  
.2A @250VDC  
6A @24VDC
5. INSULATION: 1,000 M $\Omega$  MIN.
6. DIELECTRIC STRENGTH: 2000V FOR 1 MIN.
7. SEALED TO IP65.
8. TRAVEL: 3.0MM FULL TRAVEL
9. ELECTRICAL LIFE: >50,000 CYCLES
10. OPERATING TEMP: -25C TO +55C
11. PANEL THICKNESS: 0.5MM TO 3.0MM
12. LAMP VOLTAGE: 14V AC OR DC (80mA, INCANDESCENT)
- 13 ▲ DENOTES CRITICAL PARAMETER.



PANEL THICKNESS  
.50 - 3.00  
[.020 - .118 in]



TITLE LAKOAU31BRED

A	21100	INITIAL RELEASE	4/11/13	EBP
REV	PCR NO	DESCRIPTION	DATE	BY

THE INFORMATION CONTAINED IN THIS DOCUMENT IS PROPRIETARY TO E-SWITCH AND IS NOT TO BE COPIED OR TRANSFERRED

SCALE	DATE	DR	DWG	REV
	4/11/2013	EBP	XF0860P	A

▲ Parts List				
ITEM	QTY	PART NUMBER	DESCRIPTION	
1	1	F060622	LAKOAU110 BODY	
2	1	F051706	35MM FLUSH MOUNT BEZEL	
3	1	F051707	35MM FLUSH MOUNT RETAINER	
4	1	F060214	29MM RED LENS	
5	1	F050404	14V AC/DC INCANDESCENT BULB	